

1/4

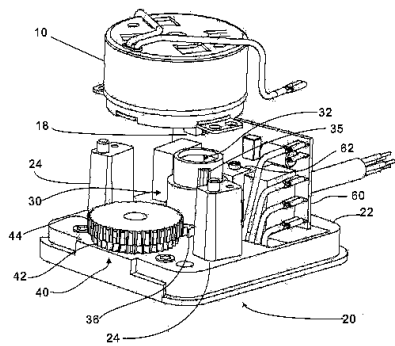


Fig 1

2/4

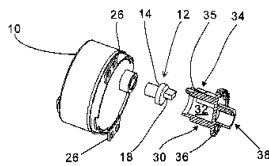


Fig 2

3/4

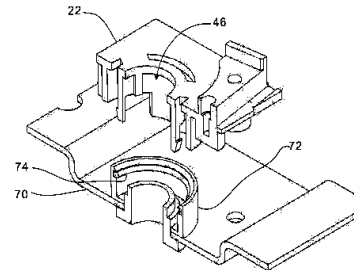


Fig 3

Drawing pages of GB2393490

4/4

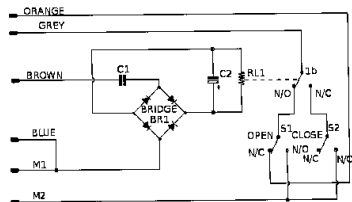


Fig 4

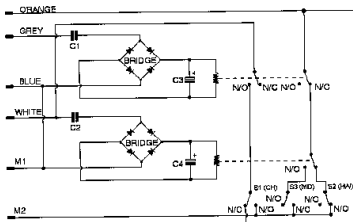


Fig 5